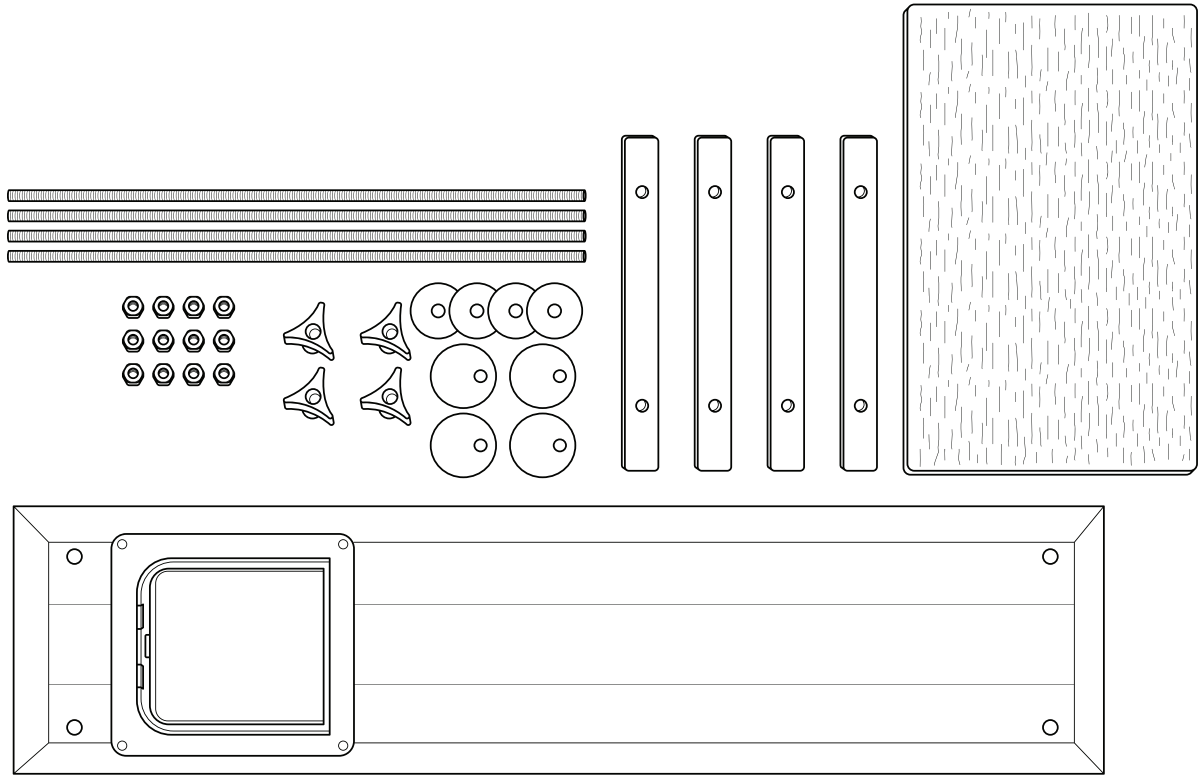
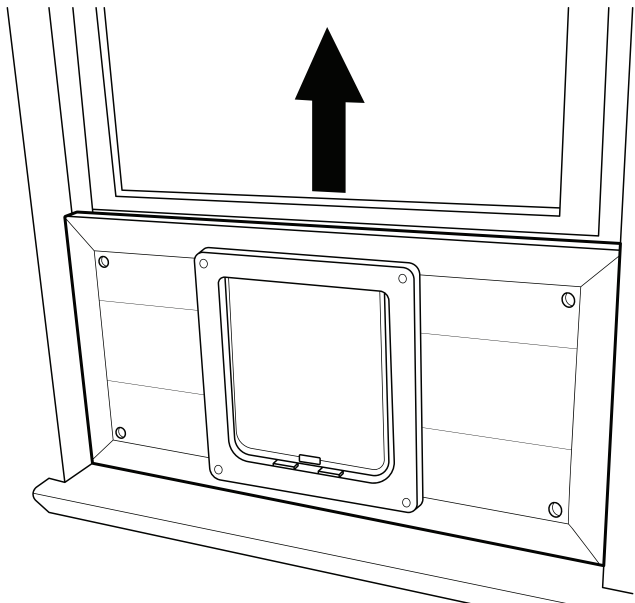


INSTRUCTIONS FOR INSTALLATION

COMPONENTS INCLUDED

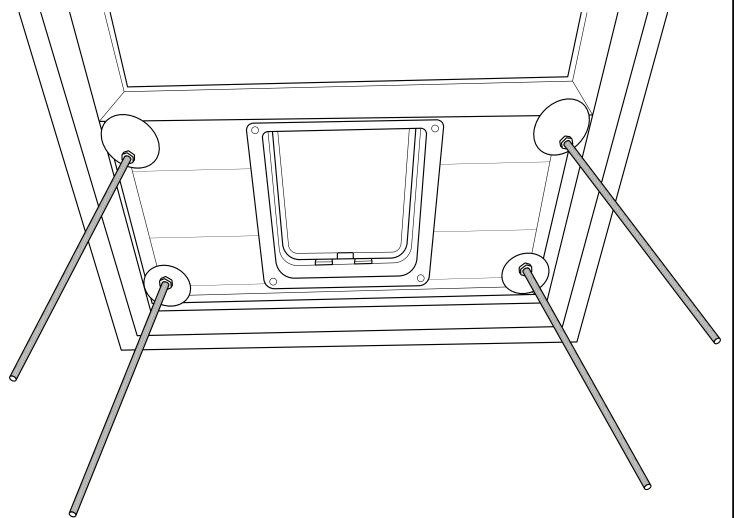


STEP 1



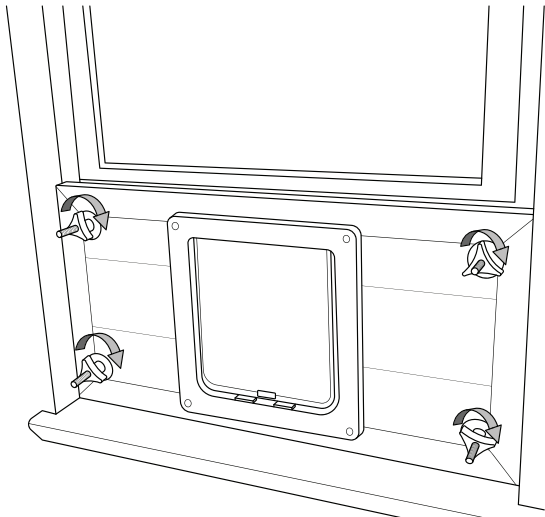
Open window to size of insert and set it against

STEP 2



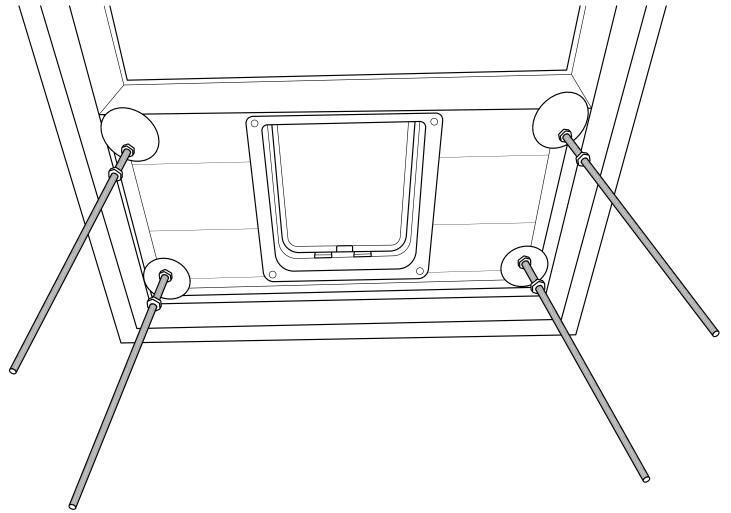
Run rods through the holes and attach clamp plates on outside

STEP 3



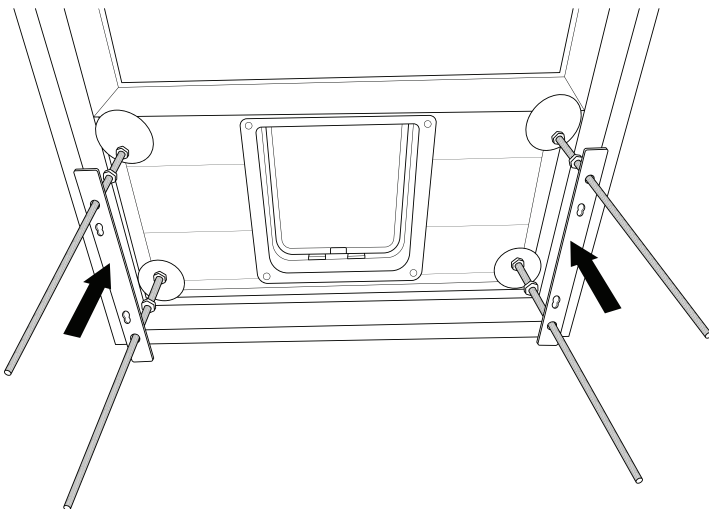
Use clamps and rod knobs to attach insert to the window seal frame

STEP 4



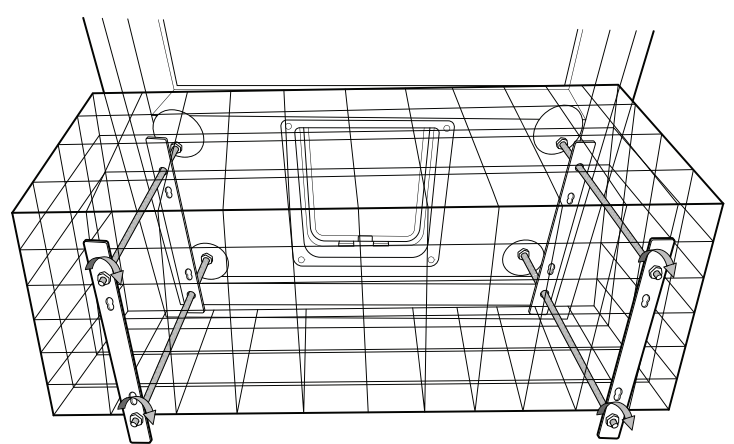
Then place nut over rod to where it is barely out side the window edge

STEP 5



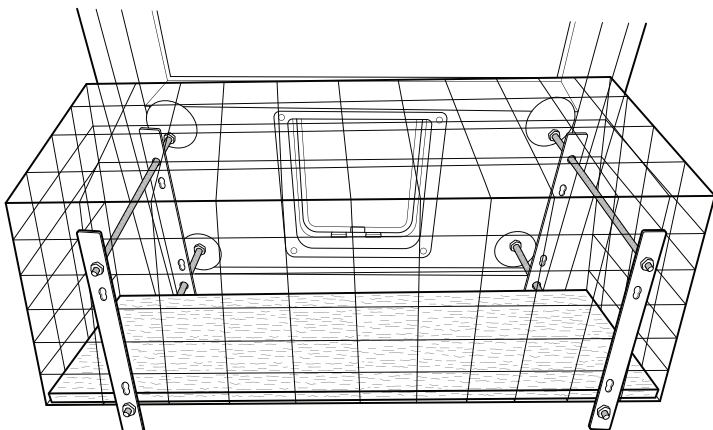
Place first set of straps snug against nuts

STEP 6



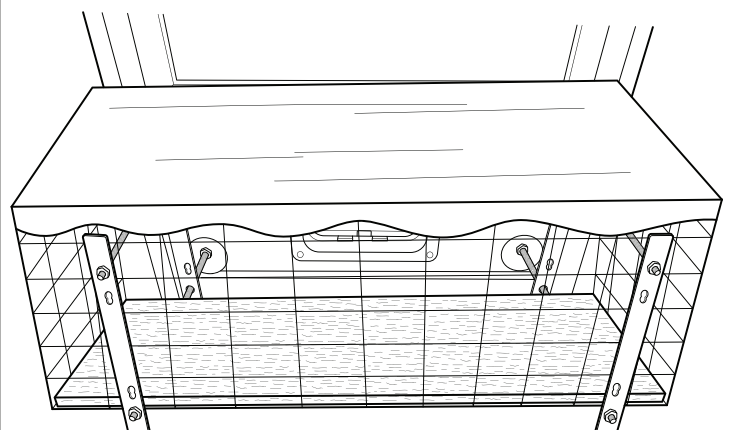
Then slide wire cage over rods and insert second set of straps and sandwich in between

STEP 7



Place floor in bottom of cage covering the rods at the same time

STEP 8



Install canvas top